

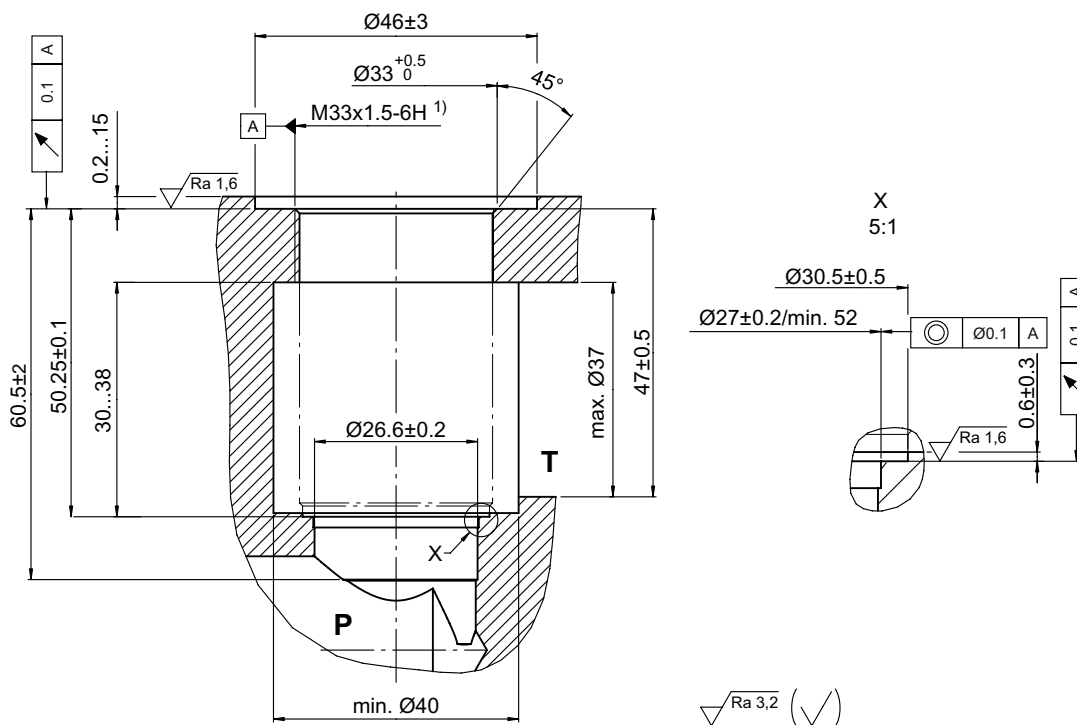
General information

Cavity

Type series: KTU

Dimensions and sectional view

Beispiel für die Masseinheit:
Example for the dimensional units:
0.79 = 0.79 mm millimeter



i HINWEIS!
NOTE!

¹⁾ Gewindetiefe min. 20
threade depth min. 20

Installation information



ATTENTION!

You must maintain the specified positional and diametral tolerances. To ensure trouble-free operation of the screw-in cartridges, we strongly recommend that pilot drilling, boring, reaming and cavity thread-cutting are always performed in one setup.



NOTE!

Cavity type to factory standard.



NOTE!

We offer form tool sets for sale or hire. For further information, see data sheet 400-P-040011.